

DACIA DUSTER COMMERCIAL



DACIA DUSTER COMMERCIAL

Offering extra practicality and loading space to our multi-award winning Duster, the Duster Commercial is for open or off road*, it'll go wherever you want to go. With its dominant front grille, ready-for-anything roof bars and new 16-inch wheels, this Van takes on any terrain. The added side protection, skid plates and front lighting signature will leave a lasting impression. On top of this it offers: a fitted wooden floor, load compartment cover, alarm, rubber mats, opaque film over the fixed rear windows as standard. It's got everything you need with its payload of up to 350kg (depending on model), utilising its roomy load area and all the tax advantages of a Light Commercial Vehicle. It's rugged, robust and ready for business.

We've built our range simply with two trim levels; Essential and Expression. Both are available with Dacia's proven drivetrains. Essential offers either TCe90 4x2 petrol, or Blue dCi115 4x4 options. Expression offers TCe150 4x2 with Dacia's EDC automatic transmission, or Blue dCi115 in either 4x2 or 4x4.

Whatever your needs, there is a Duster Commercial to suit.

Whatever your trade: florist, plumber, farmer, the New Duster Commercial has it covered. Prices start from a shockingly affordable £15,295 (ex. VAT)**



Iron Blue colour shown is not available for purchase. Image shown for illustration purposes only.

DESIGNED FOR YOU AND YOUR BUSINESS

Sometimes you're cruising down the motorway, sometimes you want to get off the main roads and explore uncharted territory*. Either way, the Dacia Duster Commercial always knows how to respond.

The Hill Descent Control keeps you on top of your speed. And because your eyes can't be in two places at once. The rear camera detects objects behind you. Talk about smooth sailing.



HILL DESCENT CONTROL*



REAR VIEW CAMERA

We've added loads of new safety features to the Dacia Duster Commercial.

The Duster Commercial offers:

- Seat frames and large front head rests for improved protection.
- Seat Belt Reminder (SBR) with dashboard display and a warning sound if a seat belt is unfastened.
- Bumper damper and bonnet design for improved energy absorption in case of impact.
- Large door mirrors for better driver visibility.

All versions come with ABS and ESC (Electronic Stability Control) amongst a host of standard safety features.

The Duster Commercial isn't just easy on the eye. It helps to keep you safe and sound behind the wheel, too.

Speed limiter/ Cruise control

Now you can drive under a pre-set speed without having to check your speedometer. Happy days.

Automatic Headlight Activation

The Dacia Duster Commercial offers automatic headlight activation which helps provide a more relaxed safer drive. Bet that's brightened your day...

LOADING VOLUME AND DIMENSIONS

Meet the perfect companion for any journey. Whether your week is all about work, some surfing fun, or even some intense shopping, the Dacia Duster Commercial's boot compartment can carry everything you need. This boot's loading capacity gives you up to 1623 litres of storage, take what you want, where you want.

| LOADING VOLUME & DIMENSIONS | 4x2 | 4x4 |
|--|------|------|
| Length (mm) | 1792 | 1792 |
| Maximum width (mm) | 1247 | 1247 |
| Minimum width (mm) | 977 | 977 |
| Height under load-compartment cover (mm) | 468 | 365 |
| Height under the roof (mm) | 917 | 814 |
| Useful volume under load-compartment cover (m ³) | 0,82 | 0,64 |
| Useful volume under the roof (m ³) | 1,62 | 1,56 |



THE HEIGHT OF COMFORT

The Dacia Duster Commercial impresses inside and out. The electrical power-assisted steering offers a smooth driving experience, while the rearview camera* makes for perfect parking.

Get connected with the 8" Media Display with smartphone replication and 2 USB sockets. Mirror your smartphone apps onto the screen through Apple CarPlay™ or Android Auto®**. Now that's good thinking.

When it comes to super comfortable seating, our designers really know what they're doing. Sink into plush seats with enhanced lateral support, armrest†, dense foam, long cushions and a height-adjustment system‡ that'll make every drive a joy.



ESSENTIAL



MAIN ESSENTIAL EQUIPMENT

EXTERIOR APPEARANCE

- 16" Steel wheels
- New Brand Identity
- Black roof bars with "Duster" inscription
- Black door handles and mirrors
- 25% Tinted windows
- Body-coloured front and rear bumpers
- New grille with white inserts
- DACIA Y-shaped LED signature lights

INTERIOR APPEARANCE

- Essential upholstery
- Soft feel steering wheel
- Foam steering wheel
- Black door handles
- Steel grey console surround
- Backlighting steering wheel
- Steel grey air vent surrounds

DRIVING AND CONTROLS

- Electric power-assisted steering with variable assistance
- Cruise Control and Speed limiter
- Eco mode, Stop & Start and gear change indicator
- Rear parking sensor

VISIBILITY

- Manual adjustable door mirrors
- Eco-LED dipped beam headlights
- Automatic headlights with dusk sensor
- Front fog lights

COMFORT

- Manual air conditioning
- Electric front windows
- Remote central locking
- Height & depth adjustable steering wheel
- 12V front socket

AUDIO

- Dacia Plug & Radio (Radio MP3, USB, Bluetooth, steering wheel controls, DAB + 4 speakers)

ACTIVE AND PASSIVE SAFETY

- ABS (anti-lock braking) and EBA (Emergency Brake Assist)
- ESC and Hill start assist
- Driver's front airbag/deactivate front side passenger airbag
- Chest side and head curtain airbags in the front
- ASR (Traction control) with ESC (Electronic Stability Control)
- Door open- visual and audible warning
- Tyre inflation kit
- Tyre pressure monitor

OPTIONS

- Emergency spare wheel (excluding 4x4 versions)
- Metallic paint

EXPRESSION



MAIN ESSENTIAL EQUIPMENT

EXTERIOR APPEARANCE

- 16" Alloy Wheels
- Body coloured door handles
- Silver door mirrors

INTERIOR APPEARANCE

- Expression upholstery
- Soft feel steering wheel with Steel grey trim
- Steel grey door handles
- Map pockets on front seatbacks

DRIVING AND CONTROLS

- Centre differential lock with selectable <<2WD>>, <<Auto>>, and <<Lock>> modes (dCi 4x4 versions only)

VISIBILITY

- Heated and electrically adjustable door mirrors
- Front fog lights

COMFORT

- Heated and electrically-adjustable door mirrors
- One-touch driver side window
- Central console with sliding armrest and storage (1.1L)
- Driver seat lumbar adjustment
- Drivers seat height adjustment

AUDIO

- 8" Media Display smartphone replication (2 USB Sockets, compatible with Apple CarPlay™ and Android Auto™ + 6 speakers)

ACTIVE AND PASSIVE SAFETY

- Rear view camera
- Rear parking sensor

OPTIONS

- Emergency spare wheel (excluding 4x4 versions)
- Metallic paint

DACIA DUSTER COMMERCIAL
COLOURS



ARIZONA ORANGE⁽¹⁾



GLACIER WHITE⁽³⁾



DUSTY KHAKI⁽²⁾



SLATE GREY⁽¹⁾



PEARL BLACK⁽¹⁾



URBAN GREY⁽²⁾

COLOUR AVAILABILITY

| SOLID PAINT | | Essential | Expression | | |
|------------------------------------|----------------|-----------|------------|---|---|
| 369 | Glacier White | | | ○ | ○ |
| METALLIC PAINT | | Essential | Expression | | |
| EPY | Arizona Orange | | | - | ○ |
| 676 | Pearl Black | | | - | ○ |
| KNA | Slate Grey | ○ | ○ | | |
| SPECIAL PAINT (PRICED AS METALLIC) | | Essential | Expression | | |
| KPW | Urban Grey | | | - | ○ |
| KQM | Dusty Khaki | | | ○ | ○ |

● = Standard
○ = Optional
- = Not available

(1) Metallic paint.
(2) Opaque paint.
(3) Solid paint

For illustrative purposes only.

MEET THE BOSS UNDER THE BONNET

All our engines are rigorously tested, over 800,000 kilometres of test driving in fact. So you can relax every time you turn the key.

PICK THE ENGINE FOR YOUR LIFESTYLE:

The **TCe 90** petrol engine is a great all-rounder

- 3 cylinder, 999cc engine offers you 90 hp and indicative figures of 45.6 mpg combined with CO₂ emissions of 140 g/km*

For ultimate fuel efficiency, try the **Blue dCi 115** diesel engine in either 2 or 4 wheel drive†

- An impressive 58.9 mpg and CO₂ emissions of only 126 g/km*

On top of great performance, the **TCe 150** engine offers automatic transmission

- Offering 150hp and 45.6 mpg with CO₂ emissions of only 141 g/km

BLUE DCi ENGINES

Dacia Duster Commercial benefits from the latest Euro 6 D-Full Blue dCi diesel engines which are equipped with a system to reduce polluting Nitrogen Oxide vehicle emissions by injecting AdBlue®, into the exhaust system. A dashboard message will remind you when the AdBlue® needs topping up via specific AdBlue® filling cap located next to the usual Diesel fuel filler cap. A full tank of AdBlue® will last for 6 full tanks of Diesel.



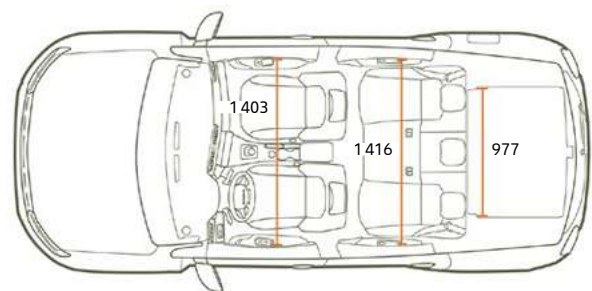
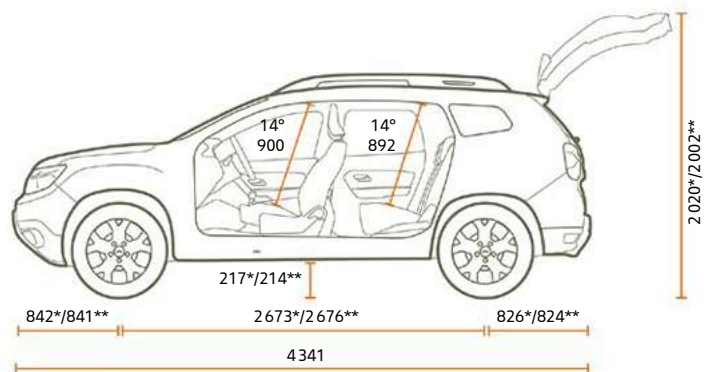
*WLTP figures shown are for comparability purposes. Actual real world driving results may vary depending on factors such as weather conditions, driving styles, vehicle load or any accessories fitted after registration.

† Figures shown are the 4x2 versions

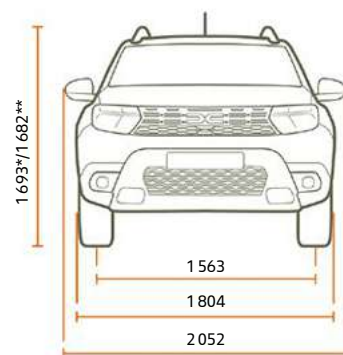
DACIA DUSTER COMMERCIAL

DIMENSIONS

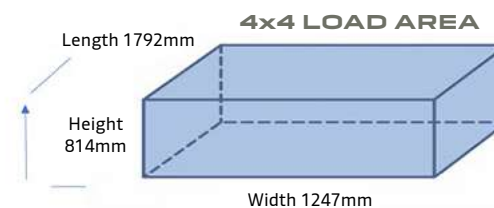
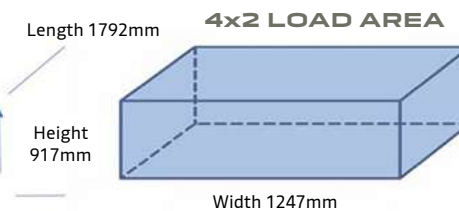
PROFILE VIEW



FRONT VIEW



REAR VIEW



EXTERIOR DIMENSIONS (mm)

| | 4x2 (mm) | 4x4 (mm) |
|--|-------------|-------------|
| A - Wheelbase | 2673 | 2676 |
| B - Overall bodywork length | 4341 | 4341 |
| C - Front overhang | 842 | 841 |
| D - Rear overhang | 826 | 824 |
| E - Front track | 1563 | 1563 |
| F - Rear track | 1570 | 1580 |
| G - Overall width without / with door mirrors | 1804 / 2052 | 1804 / 2052 |
| H - Unladen height / with roof bars | 1633 / 1693 | 1621 / 1682 |
| K - Ground clearance (unladen) | 217 | 214 |
| M - Front elbow room | 1403 | 1403 |
| N - Front shoulder width | 1383 | 1383 |
| P1 - Distance between hip joint and ceiling in front seats | 900 | 900 |
| Y - Interior width between wheel arches | 977 | 977 |

LOADING VOLUME & DIMENSIONS

| | 4x2 (mm) | 4x4 (mm) |
|--|----------|----------|
| A - Length (mm) | | 1792 |
| B - Maximum width (mm) | | 1247 |
| C - Minimum width (mm) | | 977 |
| D - Height under load-compartment cover (mm) | 468 | 365 |
| Height under the roof (mm) | 917 | 814 |
| Useful volume under the roof (L) | 1623 | 1559 |

CLEARANCE ANGLES

| | 4x2 (mm) | 4x4 (mm) |
|-------------------|----------|----------|
| 1 Approach angle | 29° | 29° |
| 2 Ventral angle | 21° | 18° |
| 3 Departure angle | 29° | 29° |

DACIA DUSTER COMMERCIAL ENGINES

| | Tce 90 4x2 | TCe 150 Auto 4x2 | Blue dCi 115 4x2 | Blue dCi 115 4x4 |
|--|---|---|---|--|
| ENGINES | | | | |
| Engine type | Euro 6 D Full HR10DET 4*2 | Euro 6 D Full HR13DDT (H5H) 490 /M3 | Euro 6 D Full K9K GEN8 4*2 | Euro 6 D Full K9K GEN8 4*4 |
| Cubic capacity (cm³) | 999 | 1,332 | | 1,461 |
| Number of cylinders/valves | 3 cyl /12 | 4 in line / 16 | | 4 in line / 8 |
| Fuel | Unleaded Petrol | Unleaded petrol | | Diesel |
| Fuel injection type | Multipoint sequential | Direct injection | | Commonrail direct + multipoint injection |
| Aspiration | Turbocharged | Turbocharged | | Turbocharged |
| Particulate filter (PF) | - | Standard | | Standard |
| Bore x Stroke | 72.2x81.34 | 72.2x81.4 | | 76 x 80.5 |
| Peak power kW (Metric HP) @ RPM | 67 (90) @ 4,400-4,900 | 110 (148) @ 5,250-6,000 | | 85 (115) @ 3,750 |
| Peak torque ((Nm) @ RPM | 160 @2200-3,750 | 250 @ 1,700-3,250 | | 260 @1,750-2,750 |
| Stop and Start | Yes | Yes | Yes | Yes |
| PERFORMANCE | | | | |
| Maximum Speed mph (km/h) | 103 (166) | 124 (199) | 113 (183) | 108(175) |
| 0- 62 mph - secs (0-100 km/h) | 13.1 | 9.7 | 10.3 | 10.3 |
| 400 m stopping distance (secs) | 18.8 | 16.8 | 17.5 | 17.6 |
| 1000 m Stopping distance (secs) | 35.4 | 31.4 | 32.2 | 33.2 |
| FUEL CONSUMPTION AND EMISSIONS | | | | |
| CO ₂ (g/km) WLTP | 139 | 141 | 127 | 140 |
| Combined cycle - mpg (l/100km) WLTP | 45.6 (6.2) | 45.6 (6.2) | 58.9 (4.8) | 53.3 (5.3) |
| Low - l/100km WLTP | 7.3 | 7.7 | 5.2 | 5.9 |
| Medium - l/100km WLTP | 5.6 | 5.9 | 4.6 | 5.0 |
| High - l/100km WLTP | 5.3 | 5.4 | 4.2 | 4.6 |
| Extra-High - l/100km WLTP | 6.8 | 6.7 | 5.5 | 5.9 |
| GEARBOX | | | | |
| Drive type | Front-wheel drive | Front-wheel drive | Front-wheel drive | All-wheel drive (selectable) |
| Gearbox type | Manual | DCT (Dual Clutch Transmission) | Manual | Manual |
| Alliance gearbox code | JX20 M5Fg3 | DC25D6Fg1 | TX26 M6Fg2 | TX26 M64g1 |
| Number of forward gears | 6 | 6 | 6 | 6 |
| Vehicle speeds (mph) per 1000 rpm: in 1st gear | 4.23 mph | 4.58 mph | 4.95 mph | 3.6 mph |
| Vehicle speeds (mph) per 1000 rpm: in 2nd gear | 7.18 mph | 7.96 mph | 8.77 mph | 6.2 mph |
| Vehicle speeds (mph) per 1000 rpm: in 3rd gear | 10.97 mph | 12.26 mph | 13.97 mph | 9.8 mph |
| Vehicle speeds (mph) per 1000 rpm: in 4th gear | 15.53 mph | 17.41 mph | 18.95 mph | 14.4 mph |
| Vehicle speeds (mph) per 1000 rpm: in 5th gear | 20.28 mph | 23.35 mph | 24.21 mph | 21 mph |
| Vehicle speeds (mph) per 1000 rpm: in 6th gear | 25.66 mph | 30.16 mph | 28.95 mph | 28.6 mph |
| STEERING | | | | |
| Steering | | | Electrical power-assisted steering | |
| Turning circle between pavements / walls (m) | 10.72 | 10.72 | 10.72 | 10.72 |
| Number of turns (lock-to-lock) | 3.088 | 3.088 | 3.088 | 3.088 |
| SUSPENSION | | | | |
| Front suspension type | | | | |
| Rear suspension type | Flexible axle with programmed deflection and coil springs | Flexible axle with programmed deflection and coil springs | Flexible axle with programmed deflection and coil springs | McPherson-type multi-link |
| WHEELS AND TYRES | | | | |
| Wheel size | 215 / 65 R16 | | T145/90 R16 | 215/65 R16 |
| BRAKING | | | | |
| Front: Ventilated discs - diameter (mm) / thickness (mm) | 280/24 | 280/24 | | 280 / 24 |
| Rear: Drum - diameter (inches) | 9 | 9 | | 9 |
| Anti-lock Braking System (ABS) | | | Yes | |
| Electronic Brakeforce Distribution (EBD) | | | Yes | |
| Emergency Brake Assist (EBA) | | | Yes | |
| ESC (Electronic Stability Control) | | | Yes | |
| FUEL TANK CAPACITY | | | | |
| Fuel tank capacity (litres) | 50 | 50 | 50 | 50 |
| AdBlue tank capacity (litres) | - | | 14.4 | 14.4 |
| WEIGHT | | | | |
| | Essential | Expression | Expression | Essential |
| Kerb Weight (Excluding Driver) (kg) | 1,231 | 1,305 | 1,392 | 1,455 |
| Unladen weight on front axle (kg) | 711 | 779 | 826 | 828 |
| Unladen weight on rear axle (kg) | 520 | 526 | 566 | 627 |
| Total authorised laden weight (kg) | 1,731 | 1,774 | 1,852 | 1,943 |
| Gross train weight (GTW) | 2,934 | 2,978 | 3,055 | 3,445 |
| Max payload (kg) | 355 | 345 | 355 | 355 |
| TOWING CAPACITY | | | | |
| Max Braked Towing Weight (kg) | 1,100 | 1,200 | 1,200 | 1,500 |
| Max Unbraked Towing Weight (kg) | 630 | 665 | 695 | 740 |
| GROUND CLEARANCE | | | | |
| Ground clearance (unladen) (mm) | 210 | 210 | 210 | 210 |
| Wading depth (mm) | 450 | 450 | 450 | 450 |

*WLTP figures shown are for comparability purposes. Actual real world driving results may vary depending on factors such as weather conditions, driving styles, vehicle load or any accessories fitted after registration.

DACIA DUSTER COMMERCIAL PRICING

| | | CO ₂ g/km WLTP | FUEL TYPE | COMBINED FUEL CONSUMPTION (MPG) - WLTP* | BHP | VED YEAR 1† | BASIC PRICE | VAT 20% | TOTAL RETAIL PRICE | ON THE ROAD PRICE^ |
|--------------------------------|-----------------------|------------------------------|-----------|--|-----|----------------|-------------|---------|--------------------|-----------------------|
| DACIA DUSTER COMMERCIAL | | | | | | | | | | |
| Essential | TCe 90 4x2 MY23 | 140 | Petrol | 45.6 (6.2) | 90 | £290 | £15,295 | £3,059 | £18,354 | £19,324 |
| | Blue dCi 115 4x4 MY23 | 140 | Diesel | 53.3 (5.3) | 115 | £290 | £18,795 | £3,759 | £22,554 | £23,524 |
| Expression | TCe 150 EDC 4x2 MY23 | 141 | Petrol | 45.6 (6.2) | 150 | £290 | £19,145 | £3,829 | £22,974 | £23,944 |
| | Blue dCi 115 4x2 MY23 | 126 | Diesel | 58.9 (4.8) | 115 | £290 | £17,845 | £3,569 | £21,414 | £22,384 |
| | Blue dCi 115 4x4 MY23 | 140 | Diesel | 53.3 (5.3) | 115 | £290 | £19,795 | £3,959 | £23,754 | £24,724 |

*WLTP figures shown are for comparability purposes. Actual real world driving results may vary depending on factors such as weather conditions, driving styles, vehicle load or any accessories fitted after registration.

†Vehicle Excise Duty: first 12 months.

‡Renault UK Limited does not offer tax advice and recommends that all Company Car Drivers consult their own accountant with regards to their particular tax position.

^All prices shown are the manufacturer's recommended retail prices. The "On the road" price includes delivery to the dealer premises, number plates, 12 months government road fund licence (cost dependent on CO₂ emissions) and First Registration Fee at £55. Other goods or services supplied by agreement between the customer and the dealer are not included.

OPTIONS

| OPTION | ESSENTIAL | EXPRESSION | BASIC PRICE | VAT 20% | TOTAL RETAIL PRICE^ |
|--------------------------------------|-----------|------------|-------------|---------|---------------------|
| Metallic & opaque paint | o | o | £541.67 | £108.33 | £650 |
| Spare Wheel (Excluding 4x4 versions) | o | o | £250.00 | £50.00 | £300 |

o: available as an option ^Manufacturer's recommended retail prices

DACIA DUSTER COMMERCIAL
WE'VE GOT YOU COVERED

You might think our shockingly affordable prices mean our cars aren't made to last. Actually, the Dacia range is one tough cookie. To prove it, you get a 3-year* warranty (or 60,000 miles, if you reach that first). This means we will replace any part which has been deemed by a Dacia approved dealer to be defective due to a manufacturing fault, free of charge. To keep the good times rolling, you can extend your warranty up to 7 years for a great price. We also give you a 2-year paintwork and 6-year anti-corrosion warranty, so you can kick back knowing that your Dacia will stay looking good-as-new for years to come.

ROADSIDE ASSISTANCE

Although our cars are built for plain sailing, you can rely on us if you have a breakdown – 24/7 365, wherever you are in the UK or Northern Ireland. This offer also stands for the first 3 years/60,000 miles Δ after you buy your new Dacia.

DACIA CAR INSURANCE 1

Dacia Insurance has been specifically created to provide superb protection for you and your car. Unlike most other UK insurers, in the event of an accident, your Dacia will be repaired at a Dacia Approved Bodyshop using only Dacia approved parts and approved repair methods. This maintains your Dacia's safety rating, protects its resale value and helps to maintain its Dacia warranty Δ . Dacia Insurance also offers a courtesy car for the duration of a repair at a Dacia Approved Bodyshop.

Dacia car insurance: 0330 102 7795 www.daciacarinsurance.co.uk

Lines are open Mon - Thurs 8.30am - 7pm, Fri 9am - 6pm, Sat 9am - 5pm

SERVICING

Dacia Service Plans are the ultimate hassle free way to take care of your vehicle. Depending on the Service plan you purchase (see opposite grid) your servicing needs are covered and you benefit from;

- Inflation Proof Servicing – You know exactly what you'll pay and there are no hidden costs
- Peace of Mind – No matter where life takes you, we'll be there in over 5000 workshops across Europe
- Dacia Expertise & Quality – Our highly trained technicians know your Dacia inside out

The Dacia Service Plan contains Dacia services in-line with the manufacturer's service schedule, plus comes with a complimentary vehicle health check to ensure your Dacia is in the best condition possible.

| | Cash Price | Monthly payments with Dacia Finance** | | Total Retail Price |
|---|------------|---------------------------------------|--------------------------------------|--------------------|
| Service plan[^] | | | Extended warranty | |
| 2 years / 20,000 miles Service Plan | - | £10.99 per month | 4 years / 60,000 miles [†] | £160 |
| 3 years / 30,000 miles Service Plan | £576 | £13.99 per month | 5 years / 60,000 miles [†] | £300 |
| 4 years / 40,000 miles Service Plan | £984 | £18.99 per month | 6 years / 60,000 miles [†] | £430 |
| | | | 4 years / 100,000 miles [†] | £430 |
| Servicing[^] + Extended Warranty Plan | | | 5 years / 100,000 miles [†] | £560 |
| 4 years / 60,000 miles | £1,344 | £23.99 per month | 6 years / 100,000 miles [†] | £690 |

Dacia Extended warranty ends when you reach the age or mileage limit (whichever comes first). For full Warranty Terms and Conditions visit www.dacia.co.uk/warranty-and-assistance/assistance

Service Intervals^o

Annual servicing **OR** servicing at 18,000 miles (whichever comes first)

| Service Schedule ^o | Year 1 | Year 2 | Year 3 | Year 4 | Year 5 | Year 6 |
|-------------------------------|---------------------|----------------------------------|--|---|--|--|
| | Cabin filter change | Oil change + Cabin filter change | Cabin filter change + Brake fluid change | Oil change + Cabin filter change + Brake fluid change | Cabin filter change + Coolant 150km change | Cabin filter change + Belts 150km change |

*Dacia warranty ends when you reach the age or mileage limit (whichever comes first), from date of registration. Subject to status, terms and conditions apply. For full Dacia Extended Warranty Terms and Conditions visit www.dacia.co.uk/warranty-and-assistance/warranty

[^]Roadside assistance for the first 3 year / 60,000 miles, which ever is reached first, from date of registration. For full Terms and Conditions visit www.dacia.co.uk/warranty-and-assistance/assistance

[†] Dacia Extended warranties are available to purchase from first date of registration up to end of manufacturer warranty. For full Dacia Extended Warranty Terms and Conditions visit www.dacia.co.uk/warranty-and-assistance/warranty

The monthly service plan offer is available at point of signing agreement for vehicle purchased under HP and PCP finance agreement provided by Dacia Finance Ltd. (Not available on cash purchases).

^o The Service plan offer is available for eligible retail vehicles only and valid at participating dealers only. Vehicles must be ordered between 4th July to 2nd October 2023 and registered by 31st December 2023. The Dacia Service plan covers the manufacturer's minimum maintenance programme requirements for the term of the Service plan purchased (refer to the Warranty and Service sheet in the Handover Document wallet for details). The plan ends when you reach the age or mileage limit (whichever comes first). Services must be carried out in line with the manufacturer's minimum maintenance programme requirements and servicing intervals within +/- 1 month or 1,000 miles of the service interval and can only be carried out at a Dacia Approved outlet. Service plans do not cover wear and tear items such as (but not limited to) tyres, wiper blades or brakes. For Service plan full Terms & Conditions visit www.dacia.co.uk/services-and-finance/service-plan. Cannot be part exchanged, refunded or transferred.

^o The service schedule and intervals are subject to the registration number. Ask your local dealer to confirm your service schedule / intervals as the above is a guideline.

**36 or 48 monthly payments options are only available at point of signing a finance agreement provided by Dacia Finance, Rivers Office Park, Denham Way, Rickmansworth, WD3 9YS. Guarantees and indemnities may be required. You must be a UK resident (excluding the Channel Islands) and over 18 to apply for finance. Terms and conditions apply.

¹ Dacia Insurance is arranged and administered by Verex Insurance Services Ltd, which is registered in England and Wales No. 05686831 at Batchworth House, Church Street, Rickmansworth, Herts, WD3 1JE and authorised and regulated by the Financial Conduct Authority, No. 487185. Verex Insurance Services Ltd arranges policies from a panel of insurers, details are available on request.

[^]If your insurer uses non-approved parts which subsequently fail, they may not be covered under your manufacturer's warranty.

Every precaution has been taken to ensure this publication is accurate and up to date when printed. This document has been created using pre-production and prototype models. In line with its policy of continuous product improvement, Dacia reserves the right to modify the specifications, vehicles and accessories described and featured at any time. Any such modifications are communicated to Dacia dealers as quickly as possible. Depending on the country of sale, versions may differ and certain equipment may be unavailable (as standard, optional or as an accessory). Please consult your Dacia brand representative for the latest information. For technical printing reasons, the colours featured in this document may differ slightly from those of the actual paintwork or interior trim. All rights reserved. Reproduction in any format and by any means of all or part of this publication is prohibited without prior written authorisation from Dacia.

PUBLICIS - PHOTO CREDITS : MARC & DAVID, H. PICARD, TWIN GROUP, © RENAULT MARKETING 3D-COMMERCE - JULY 2023

Dacia recommends 